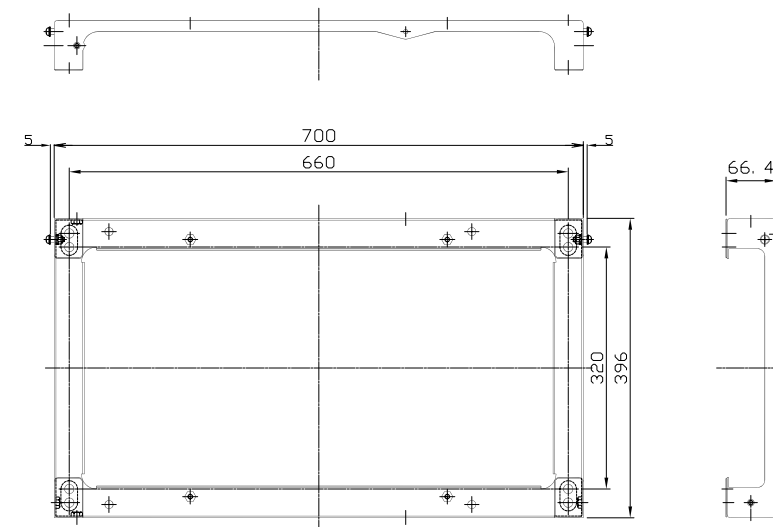
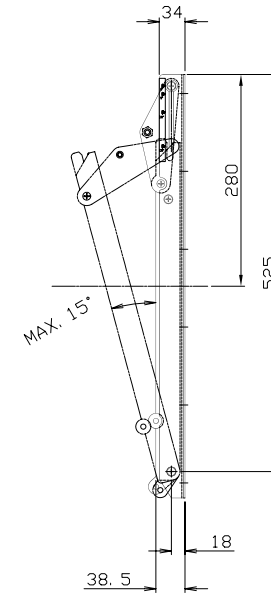
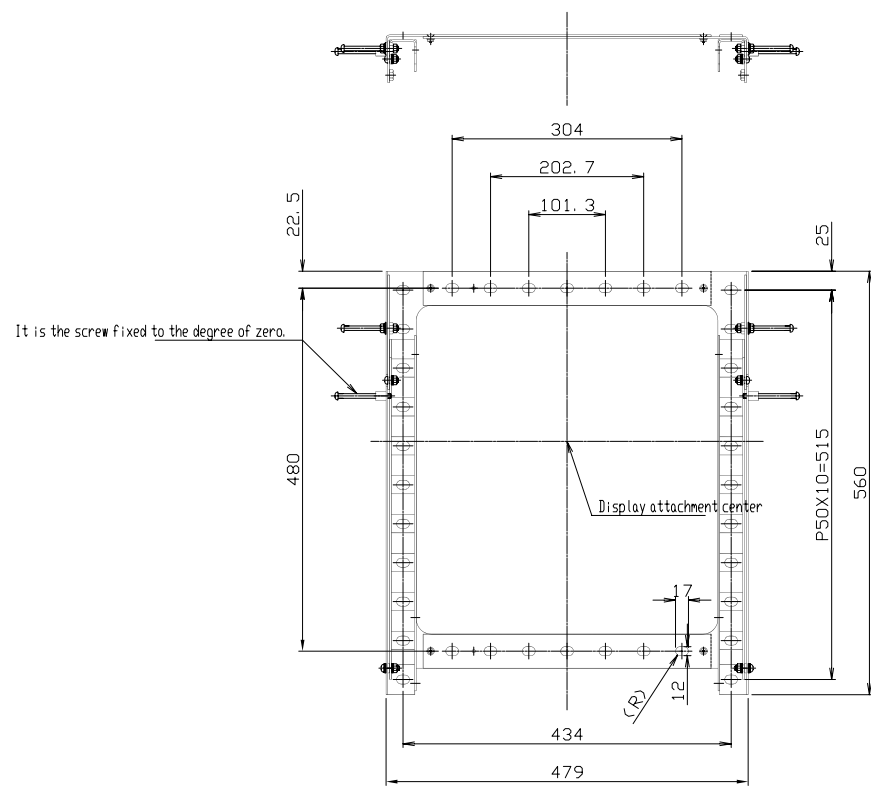


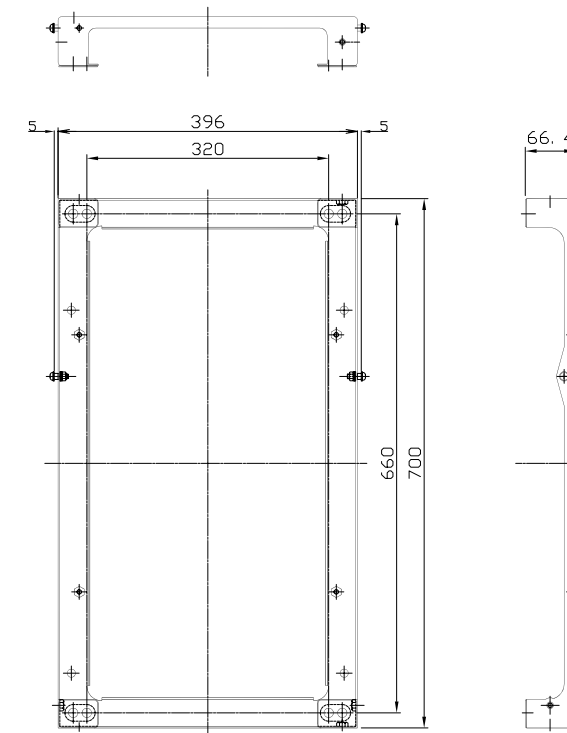
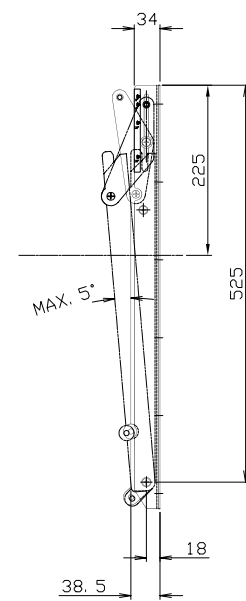
The parts attached in a wall(Horizontal)



The parts attached in a Display(Horizontal)



The parts attached in a wall(Vertical)



The parts attached in a Display(Vertical)

NOTE
1.THIS DRAWING SHOWS Wall-mounting Bracket "P-WB6300-B"

TITLE Wall-mounting Bracket	DATE 2004. 01. 16
MODEL P-WB6300-B	
SORT of DRAWING EXTERNAL DRAWING	UNIT mm
Remarks D18015318004-01 (001/005) Weight: about 7kg	