

Plasmavision[®]

by FUJITSU GENERAL

The FIRST • The BEST • The ORIGINAL

P50XTS

50" HDTV Plasma Display



P50XTS 51ES

The Plasmavision™ P50 XTS 51ES is part of Fujitsu's latest line of high definition Plasmavision™ monitors, bringing the ultimate viewing experience into your living-room.

This next generation plasma display features Fujitsu's patented Advanced Video Movement-II (AVM-II) digital video processor, which further enhances the award-winning picture quality of Plasmavision™ displays. Especially fast moving scenes - like sports programmes or action movies - look much more natural and detailed than ever before.

Simple installation and seamless integration into any home theatre setting is achieved through a redesigned sleek and lightweight bezel.

An extensive array of inputs and outputs on the separate Selector-Unit gives you the freedom of choice for your signal sources. No messing around with cables - just two lines run from the Selector Unit to the plasma cabinet. This makes installation and setup as easy as it has never been before!

Superior picture quality and natural colour display combine with high resolution to virtually transport you to far away places.

Whether you're watching a sporting event, your favourite television program, or the latest DVD release, images appear so real you'll feel like you're actually there.

Features

- High Resolution 1366 x 768 pixel display
- AVM-II digital video processor
- 3000:1 contrast ratio
- 160° viewing angle
- Slim and lightweight
- TV-Tuner in Selector-Unit
- Wide range of inputs - HDMI, S-video, Component
- PC-Input (RGB)



**HD
ready**

P50XTS 51ES

FUJITSU GENERAL LIMITED

IT'S WHAT'S INSIDE™

The AVM-II digital video processor features four distinct improvements to enhance the award-winning picture quality of Plasmavision™ monitors.

AVM Noise Reduction reduces the *digital noise artifacts* often present in today's heavily processed (compressed or expanded) video content, and smoothes jagged edges.

Picture Text Optimiser recognises on-screen text and graphics and processes them in the most optimal way.

Ambient Light Sensor senses the relative brightness of the viewing room and digitally adjusts the screen brightness and contrast.

Advanced Colour Management adjusts specific hues to appear more natural.

PICTURE PERFECT

The P50 XTS 51ES boasts a High-Definition Multimedia Interface (HDMI) input, enabling true high-definition audio/video content. HDMI combines high-definition video and multi-channel audio in a single digital interface to provide crystal-clear digital quality over a single cable.



BRILLIANT COLOUR DISPLAY

Using a 10-bit processing system, the P50 XTS 51ES produces over 1.07 billion colours to represent on-screen images in their most natural colour. High brightness and an amazing contrast ratio combine for a brilliant picture display, regardless of room lighting.

SLEEK AND STYLISH

Just 10 cm (4") deep, and 45 kg, the P50 XTS 51ES is great for custom installations in a wide variety of home theatre applications.

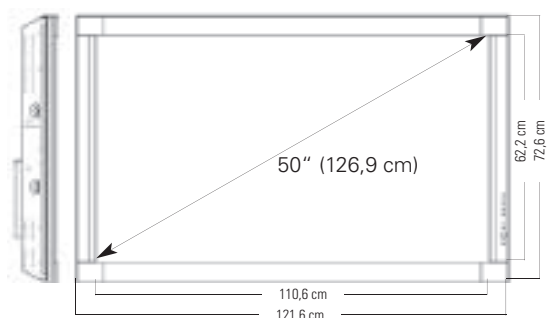
CONVERGENT VISUAL MEDIUM™

An expanded complement of input terminals for HDMI, component video, S-video, composite video and analog RGB allow for complete convergence. The TV tuner in the Selector Unit (analogue) allows direct reception of TV broadcast.

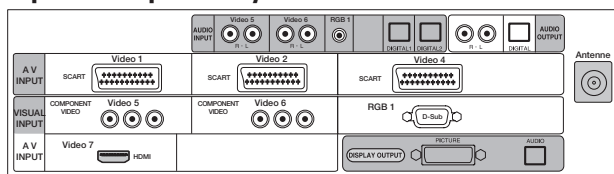
AWARD WINNING

Since introducing the world's first plasma display monitor in 1993, Fujitsu Plasmavision™ Displays have won numerous awards for engineering, design and picture quality, including an Emmy Award for outstanding achievement in technological advancement.

Specifications P50 XTS 51 ES



Input / Output Array on Selector-Unit



Selector Unit P-TU5051 ES

Video In	1 x HDMI 1 x Composite Video (1 x RCA) 1 x S-Video 2 x Component Video (3 x RCA) 3 x Scart 2 x RGB (Sub-D)
Audio In	3 x Stereo Audio (RCA) 1 x 3,5 mm pin jack 2 x optical
Audio Out	1 x Stereo Audio (RCA) 1 x optical
TV Antenna	1 x (75 Ω), analogue
Weight	5 kg
Dimensions / mm	430 x 95 x 350 (W x H x D)
Power Supply	100 V to 240 V AC, 50 Hz/60 Hz

Plasmavision®



Display Type	AC Plasma
Screen Size	50"
Dimensions Display	121,6 x 72,6 x 10,0 (B x H x T) cm
Weight	45,0 kg
Pixel Count	1366 x 768 Pixels
Brightness	900 cd/m ²
Contrast Ratio	3000:1
Aspect Ratio	16:9
Displayable Colors	1.07 billion (10 Bit RGB)
Video Standards Supported	PAL, M-PAL, N-PAL, PAL-60, SECAM, NTSC, NTSC 4.43
Component and HDMI Video-Modes	SDTV: 480i, 576i, 480P, 576P HDTV: 720P, 1080i
In- / Outputs	See Selector Unit
Viewing Angle	160°
Horizontal kHz	15,62 - 80,00
Vertical Hz	50,0 - 120,0
Power Supply	110 V to 240 V AC, 50 Hz/60 Hz
Operating Temperature	0° C to 40° C
Relative Humidity	20% to 80%
Air pressure	800 hPa to 1.114 hPa
EMC Regulations	FCC part-15 Class B, ICES-003 Class B, AS/NZS3548 Class B, EN550022 Class B
Safety Regulations	UL 6500, U-CL, EN60065

Optional Accessories

Desktop Stand	P45DTSSV01
Wall Mount Bracket	P456WB04
Speakers (pair)	P-SP1000-H

Specifications are subject to change.

FUJITSU GENERAL VISUAL SYSTEMS (Europe) SAS

Head Office

5, avenue du Québec, BP 204
91941 Les Ulis Cedex
France

www.plasmavision.fr

UK Branch

Unit 150, Centennial Park
Centennial Avenue
Elstree, Herts, WD6 3SG, U.K.

www.fujitsu-general.co.uk

German Branch

Werftstraße 20
40549 Düsseldorf
Germany

www.plasmavision.de