

# Plasmavision<sup>®</sup>

by FUJITSU GENERAL

The FIRST • The BEST • The ORIGINAL

# P63XHA

## 63" HDTV Plasma Display



P63XHA 51ES

The Plasmavision™ P63 XHA 51ES is part of Fujitsu's latest line of high definition Plasmavision™ monitors, bringing the ultimate viewing experience into your living-room.

This next generation plasma display features Fujitsu's patented Advanced Video Movement-II (AVM-II) digital video processor, which further enhances the award-winning picture quality of Plasmavision™ displays. Especially fast moving scenes - like sports programmes or action movies - look much more natural and detailed than ever before.

Simple installation and seamless integration into any home theatre setting is achieved through a redesigned sleek and lightweight bezel.

An array of inputs and outputs - including a state of the art HDMI input for full digital video and audio connection with just one cable - gives you the freedom of choice for your signal sources.

Superior picture quality and natural colour display combine with high resolution to virtually transport you to far away places.

Whether you're watching a sporting event, your favourite television program, or the latest DVD release, images appear so real you'll feel like you're actually there.

## Features

- High Resolution 1366 x 768 pixel display
- AVM-II digital video processor
- 7000:1 contrast ratio
- 160° viewing angle
- Slim and lightweight
- Wide range of inputs - HDMI, Scart, Component
- PC-Input (RGB)



**HD  
ready**

P63 XHA 51ES

FUJITSU GENERAL LIMITED

## IT'S WHAT'S INSIDE™

The AVM-II digital video processor features four distinct improvements to enhance the award-winning picture quality of Plasmavision™ monitors.

**AVM Noise Reduction** reduces the *digital noise artifacts* often present in today's heavily processed (compressed or expanded) video content, and smoothes jagged edges.

**Picture Text Optimiser** recognises on-screen text and graphics and processes them in the most optimal way.

**Ambient Light Sensor** senses the relative brightness of the viewing room and digitally adjusts the screen brightness and contrast.

**Advanced Colour Management** adjusts specific hues to appear more natural.

## PICTURE PERFECT

The P63 XHA 51ES boasts a High-Definition Multimedia Interface (HDMI) input, enabling true high-definition audio/video content. HDMI combines high-definition video and multi-channel audio in a single digital interface to provide crystal-clear digital quality over a single cable.



## BRILLIANT COLOUR DISPLAY

Using a 10-bit processing system, the P63 XHA 51ES produces over 1.07 billion colours to represent on-screen images in their most natural colour. High brightness and an amazing contrast ratio combine for a brilliant picture display, regardless of room lighting.

## SLEEK AND STYLISH

Just 12,5 cm (5") deep, and 72 kg, the P63 XHA 51ES is great for custom installations in a wide variety of home theatre applications.

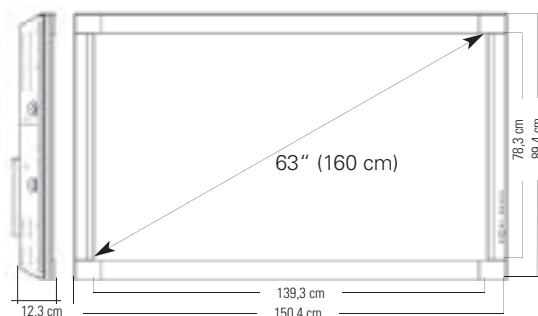
## CONVERGENT VISUAL MEDIUM™

An expanded complement of input terminals for HDMI, component video, Scart, and analog RGB allow for complete convergence.

## AWARD WINNING

Since introducing the world's first plasma display monitor in 1993, Fujitsu Plasmavision™ Displays have won numerous awards for engineering, design and picture quality, including an Emmy Award for outstanding achievement in technological advancement.

## Specifications P63 XHA 51ES



## Input / Output Array



Video In	2 x Scart 1 x HDMI 1 x Component video (3 x RCA) 1 x RGB (Sub-D, 15 pin, male)
Audio In	2 x Stereo audio (RCA) 2 x via Scart 1 x via HDMI
Audio Out	Speaker Terminal (2x10 W, 6Ω)
Control	RS-232C

## Optional Accessories

Desktop Stand	P-TT6300-S
Wall Mount Bracket	P-WB6300-B
Speakers (pair)	P-SP6300-S

## Plasmavision®



Display Type	AC Plasma
Screen Size	63"
Dimensions Display	150,4 x 89,4 x 12,3 (B x H x T) cm
Weight	72,0 kg
Pixel Count	1366 x 768 Pixels
Brightness	1000 cd/m <sup>2</sup>
Contrast Ratio	7000:1
Aspect Ratio	16:9
Displayable Colors	1.07 billion (10 Bit RGB)
Video Standards Supported	PAL, M-PAL, N-PAL, PAL-60, SECAM, NTSC, NTSC 4.43
Component and HDMI Video-Modes	SDTV: 480i, 576i, 480P, 576P HDTV: 720P, 1080i
Video Input 1+2	Composite-Video, S-Video, RGB-Video (via SCART)
Video Input 3	Component Video (Y/Pb/Pr)
Video Input 4	HDMI
Audio Input 3 + 4	2 x Stereo Input, RCA
Computer-Input	RGB (15 pin Sub-D, female); VGA, WVGA, SVGA, XGA, WXGA, SXGA
Viewing Angle	160°
Horizontal kHz	15,62 - 80,00
Vertical Hz	50,0 - 120,0
Power Source	110 V to 240 V AC, 50 Hz/60 Hz 6,3 A - 2,0 A
Operating Temperature	0° C to 40° C
Relative Humidity	20% to 80%
Air pressure	800 hPa to 1.114 hPa
EMC Regulations	FCC part-15 Class B, ICES-003 Class B, AS/NZS3548 Class B, EN550022 Class B
Safety Regulations	UL 6500, U-CL, EN60065

Specifications are subject to change.

## FUJITSU GENERAL VISUAL SYSTEMS (Europe) SAS

### Head Office

5, avenue du Québec, BP 204  
91941 Les Ulis Cedex  
France

www.plasmavision.fr

### UK Branch

Unit 150, Centennial Park  
Centennial Avenue  
Elstree, Herts, WD6 3SG, U.K.

www.fujitsu-general.co.uk

### German Branch

Werftstraße 20  
40549 Düsseldorf  
Germany

www.plasmavision.de