

# Plasmavision<sup>®</sup>

by FUJITSU GENERAL

The FIRST • The BEST • The ORIGINAL

# P42HTS

## 42" HDTV Plasma Display



P42HTS 51ES

Introducing the Fujitsu P42 HTS 51ES Plasmavision™ Display. As part of Fujitsu's latest line of high definition Plasmavision™ monitors, the P42 HTS 51ES provides the **ultimate viewing experience.**

This next generation plasma display debuts the critically acclaimed Advanced Video Movement-II (AVM-II) digital video processor, which further enhances the award-winning picture quality of Plasmavision™ displays. Simple installation and seamless integration into any home theatre setting is achieved through a redesigned sleek and lightweight bezel and an extensive array of inputs and outputs on the external Selector Unit. Just two cables run from this Selector Unit to the display itself - meaning easy setup in any environment.

Superior picture quality and natural colour display combine with high resolution to virtually transport you to far away places.

Whether you're watching a sporting event, your favourite television program, or the latest DVD release, images appear so real you'll feel like you're actually there.

## Features

- High resolution 1024 x 1024 pixel display
- AVM-II digital video processor
- 3000:1 contrast ratio
- 160° viewing angle
- Slim and lightweight at 3.4" thin and 31,5 kg
- TV Tuner in Selector Unit
- Wide range of inputs - HDMI, Scart, Component
- PC input - both MAC and Windows compatible



**HD  
ready**

P42HTS 51ES

FUJITSU GENERAL LIMITED

## IT'S WHAT'S INSIDE™

The AVM-II digital video processor features four distinct improvements to enhance the award-winning picture quality of Plasmavision™ monitors. AVM Noise Reduction reduces the **digital noise artifacts** often present in today's heavily processed (compressed or expanded) video content, and smoothes jagged edges.

**Picture Text Optimiser** recognises on-screen text and graphics and processes them in the most optimal way.

**Ambient Light Sensor** senses the relative brightness of the viewing room and digitally adjusts the screen brightness and contrast.

**Advanced Colour Management** adjusts specific hues to appear more natural.

## PICTURE PERFECT

The P42 HTS 51ES boasts a High-Definition Multimedia Interface (HDMI) input, enabling true high-definition audio/video content. HDMI combines high-definition video and multi-channel audio in a single digital interface to provide crystal-clear digital quality over a single cable.



## BRILLIANT COLOUR DISPLAY

Using a 10-bit processing system, the P42 HTS 51ES produces over 1.07 billion colours to represent on-screen images in their most natural colour. High brightness and an amazing contrast ratio combine for a brilliant picture display, regardless of room lighting.

## SLEEK AND STYLISH

Just 8.7 cm (3.4") deep, and 31,5 kg, the P42 HTS 51ES is great for custom installations in a wide variety of home theater applications.

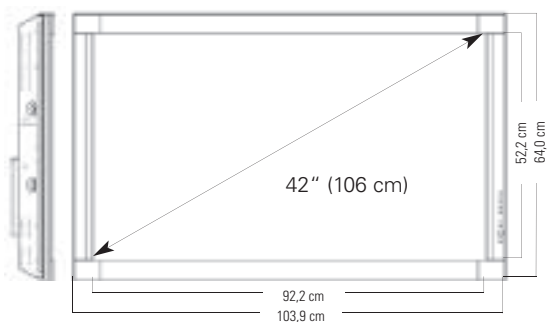
## CONVERGENT VISUAL MEDIUM™

An expanded complement of input terminals for HDMI, component video, S-video, DVI-D (PC compatible only), composite video and analog RGB allow for complete convergence.

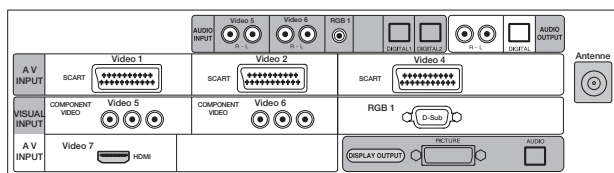
## AWARD WINNING

Since introducing the world's first plasma display monitor in 1993, Fujitsu Plasmavision™ Displays have won numerous awards for engineering, design and picture quality, including an Emmy Award for outstanding achievement in technological advancement.

## Specifications P42 HTS 51ES



## Selector Unit Input / Output Array



## Selector Unit P-TU4251 ES

Video In	1 x HDMI 1 x Composite Video (1 x RCA) 1 x S-Video 2 x Component Video (3 x RCA) 3 x Scart 2 x RGB (Sub-D)
Audio In	3 x Stereo Audio (RCA) 1 x 3,5 mm pin jack 2 x optical
Audio Out	1 x Stereo Audio (RCA) 1 x optical
TV Antenna	1 x (75 Ω)
Weight	5 kg
Dimensions / mm	430 x 95 x 350 (W x H x D)
Power	100 V to 240 V AC, 50 Hz/60 Hz

## Plasmavision®



Display Type	AC Plasma
Screen Size	42"
Dimensions Display	103,9 x 64,0 x 8,7 (B x H x T) cm
Weight	31,5 kg
Pixel Count	1024 x 1024 Pixels
Brightness	1400 cd/m <sup>2</sup>
Contrast Ratio	3000:1
Aspect Ratio	16:9
Displayable Colors	1.07 billion (10 Bit RGB)
Video Standards Supported	PAL, M-PAL, N-PAL, PAL-60, SECAM, NTSC, NTSC 4.43
Component and HDMI Video-Modes	SDTV: 480i, 576i, 480P, 576P HDTV: 720P, 1080i
Inputs / Outputs	See Selector Unit
Viewing Angle	160°
Horizontal kHz	15,62 - 80,00
Vertical Hz	50,0 - 120,0
Power Source	110 V to 240 V AC, 50 Hz/60 Hz 4,0 A - 1,5 A
Operating Temperature	0° C to 40° C
Relative Humidity	20% to 80%
Air pressure	800 hPa to 1.114 hPa
EMC Regulations	FCC part-15 Class B, ICES-003 Class B, AS/NZS3548 Class B, EN550022 Class B
Safety Regulations	UL 6500, U-CL, EN60065

## Optional Accessories

Desktop Stand	P45DTSSV01
Wall Mount Bracket	P456WB04
Speakers (pair)	P-SP1000-H

## FUJITSU GENERAL VISUAL SYSTEMS (Europe) SAS

### Head Office

5, avenue du Québec, BP 204  
91941 Les Ulis Cedex  
France

www.plasmavision.fr

### UK Branch

Unit 150, Centennial Park  
Centennial Avenue  
Elstree, Herts, WD6 3SG, U.K.

www.fujitsu-general.co.uk

### German Branch

Werftstraße 20  
40549 Düsseldorf  
Germany

www.plasmavision.de

Specifications are subject to change without notice.