

# Plasmavision®

by FUJITSU GENERAL

The FIRST ■ The BEST ■ The ORIGINAL

# P42VHA

## 42" HDTV Plasma Display



P42 VHA 51ES

The new 42" Plasma display P42VHA 51ES with all-digital AVM-II (Advanced Video Movement) System for *state of the art* video quality.

Featuring Fujitsu General's patented AVM-II video processor, the images on this display have the most natural look that can be achieved today. Image optimisation and removal of jagged edges on moving objects are the core tasks of the AVM-II chip.

The Plasmavision™ P42VHA 51ES has a stylish cabinet with only the most important controls on the lower right side of its frame.

The panel displays images with high brightness and contrast - always right for your eye, because the **Ambient Light Sensor** adjusts all image parameters to the lighting situation in your room. This means a relaxed viewing experience under all circumstances.

With the touch of your finger you can activate Fine Mode - and get the ultimate cinema feeling. The images on your screen will look like they were meant to!

A big picture needs big sound. The integrated audio amplifier can be connected to external speakers (optional accessory) and delivers clear sound with sufficient power!

## Features

- 852 x 480 pixel resolution
- AVM-II digital video processor
- 6000:1 contrast ratio
- 160° viewing angle
- Slim and lightweight
- Inputs: 2 x Scart, 1 x Component
- PC-Input (RGB)



P42 VHA 51ES

FUJITSU GENERAL LIMITED

Plasmavision

## IT'S WHAT'S INSIDE™

The AVM-II digital video processor features four distinct improvements to enhance the award-winning picture quality of Plasmavision™ monitors. **AVM Noise Reduction** reduces the **digital noise artifacts** often present in today's heavily processed (compressed or expanded) video content, and smoothes jagged edges.

**Picture Text Optimiser** recognises on-screen text and graphics and processes them in the most optimal way.

**Ambient Light Sensor** senses the relative brightness of the viewing room and digitally adjusts the screen brightness and contrast.

**Advanced Colour Management** adjusts specific hues to appear more natural.

## PICTURE PERFECT

The P42VHA 51ES boasts a High-Definition Multimedia Interface (HDMI) input, enabling true high-definition audio/video content. HDMI combines high-definition video and multi-channel audio in a single digital interface to provide crystal-clear digital quality over a single cable.



## BRILLIANT COLOUR DISPLAY

Using a 10-bit processing system, the P42VHA 51ES produces over 1.07 billion colours to represent on-screen images in their most natural colour. High brightness and an amazing contrast ratio combine for a brilliant picture display, regardless of room lighting.

## SLEEK AND STYLISH

Just 8.7 cm (3.4") deep, and 31.5 kg, the P42VHA 51ES is great for custom installations in a wide variety of home theatre applications.

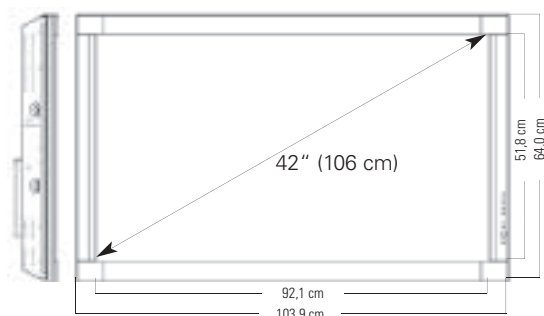
## CONVERGENT VISUAL MEDIUM™

An expanded complement of input terminals for HDMI, component video, S-video, composite video and analog RGB allow for complete convergence. The integrated TV tuner (analogue) allows direct reception of TV broadcast.

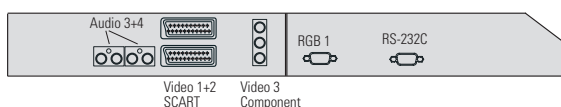
## AWARD WINNING

Since introducing the world's first plasma display monitor in 1993, Fujitsu Plasmavision™ Displays have won numerous awards for engineering, design and picture quality, including an Emmy Award for outstanding achievement in technological advancement.

## Specifications P42 VHA 51ES



## Input / Output Array



Video In	2 x Scart 1 x Component video (3 x RCA) 1 x RGB (PC)
Audio In	2 x Stereo audio (RCA) 2 x via Scart
Audio Out	Speaker Terminal (2x10 W, 6Ω)
Control	RS-232C

### Optional Accessories

Desktop Stand	P-TT4202
Wall Mount Bracket	P-WB4201
Speakers (pair)	P-SP1000-H

## Plasmavision®



Display Type	AC Plasma
Screen Size	42"
Dimensions Display	103,9 x 64,0 x 8,7 (W x H x D) cm
Weight	31,5 kg
Pixel Count	852 x 480 Pixels
Brightness	1300 cd/m <sup>2</sup>
Contrast Ratio	6000:1
Aspect Ratio	16:9
Displayable Colors	1.07 billion (10 Bit RGB)
Video Standards Supported	PAL, M-PAL, N-PAL, PAL-60, SECAM, NTSC, NTSC 4.43
Component and HDMI Video-Modes	SDTV: 480i, 576i, 480P, 576P HDTV: 720P, 1080i
Video Input 1+2	Composite-Video, S-Video, RGB-Video (via SCART)
Video Input 3	Component Video (Y/Pb/Pr)
Audio Input 3+4	2 x Stereo Input, RCA
Computer-Input	RGB (15 pin Sub-D, female); VGA, WVGA, SVGA, XGA, WXGA
Viewing Angle	160°
Horizontal kHz	15,62 - 80,00
Vertical Hz	50,0 - 120,0
Power Source	110 V to 240 V AC, 50 Hz/60 Hz 3,4 A - 1,1 A
Operating Temperature	0° C to 40° C
Relative Humidity	20% to 80%
Air pressure	800 hPa to 1.114 hPa
EMC Regulations	FCC part-15 Class B, ICES-003 Class B, AS/NZS3548 Class B, EN55022 Class B
Safety Regulations	UL 6500, U-CL, EN60065

## FUJITSU GENERAL VISUAL SYSTEMS (Europe) SAS

### Head Office

5, avenue du Québec, BP 204  
91941 Les Ulis Cedex  
France

www.plasmavision.fr

### UK Branch

Unit 150, Centennial Park  
Centennial Avenue  
Elstree, Herts, WD6 3SG, U.K.

www.fujitsu-general.co.uk

### German Branch

Werftstraße 20  
40549 Düsseldorf  
Germany

www.plasmavision.de

Specifications are subject to change without notice.